



Rice Public Library

June 26, 2019

Introductions



Scott Simons - Principal

Ryan Kanteres - Project Architect

Seth Wilshultz - Project Manager



Michael Lassel - Principal

Sarah Hourihane - Project Architect

Michal Kaleta - Project Manager

Curtis Boivin - Architect



Evening Goals

1. Discussion of Design Process
2. Present Updated Design
3. Review Next Steps

History of Project

Rice Public Library Timeline

1888 - Construction of Rice Public Library

1979 - RPL added to the National Historic Register

1988 - 1990 - Rice Library purchases Taylor Building, renovates and opens annex

2011 - Cohen Associates report assessing program needs issued

2015 - Lassel Architects report assessing program needs issued

2015 - Lassel Architects develops conceptual design of a new library off-site

2017 - The Town of Kittery votes to rehabilitate and add to existing library building

2018 - Founding of Library Building Committee to explore expansion options

Programming Interviews, Assessments and Meetings

Library Staff Interviews

Feb 06, 2019

Friends of the Library Interviews

Feb 06, 2019

Kittery Schools Interviews

Feb 13, 2019

Library Board Interviews

Feb 26, 2019

Kittery Community Center Interviews

Feb 26, 2019

Kittery Foreside Group Interviews

Feb 26, 2019

Teen User Interviews

Feb 26, 2019

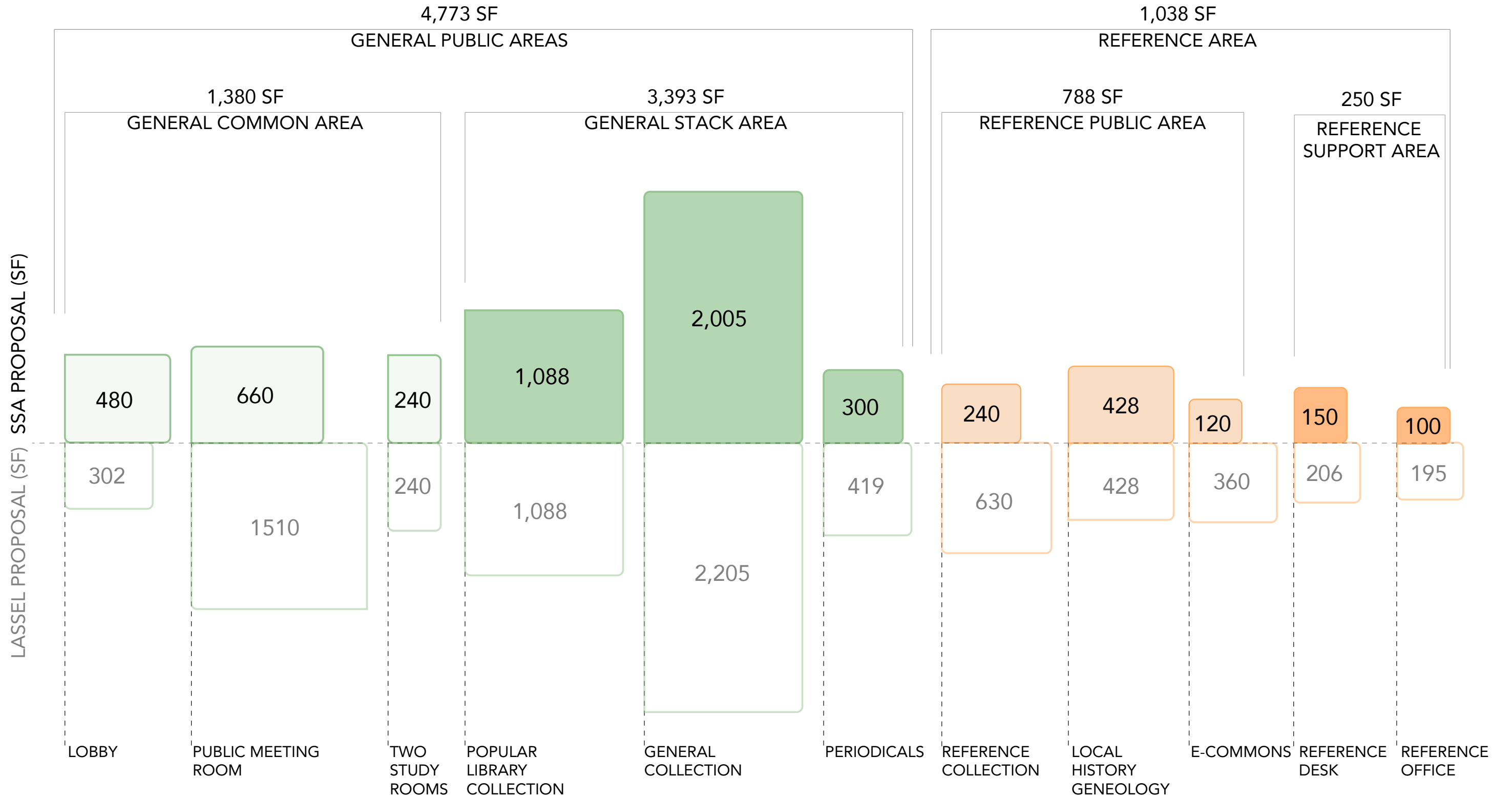
Community Meeting

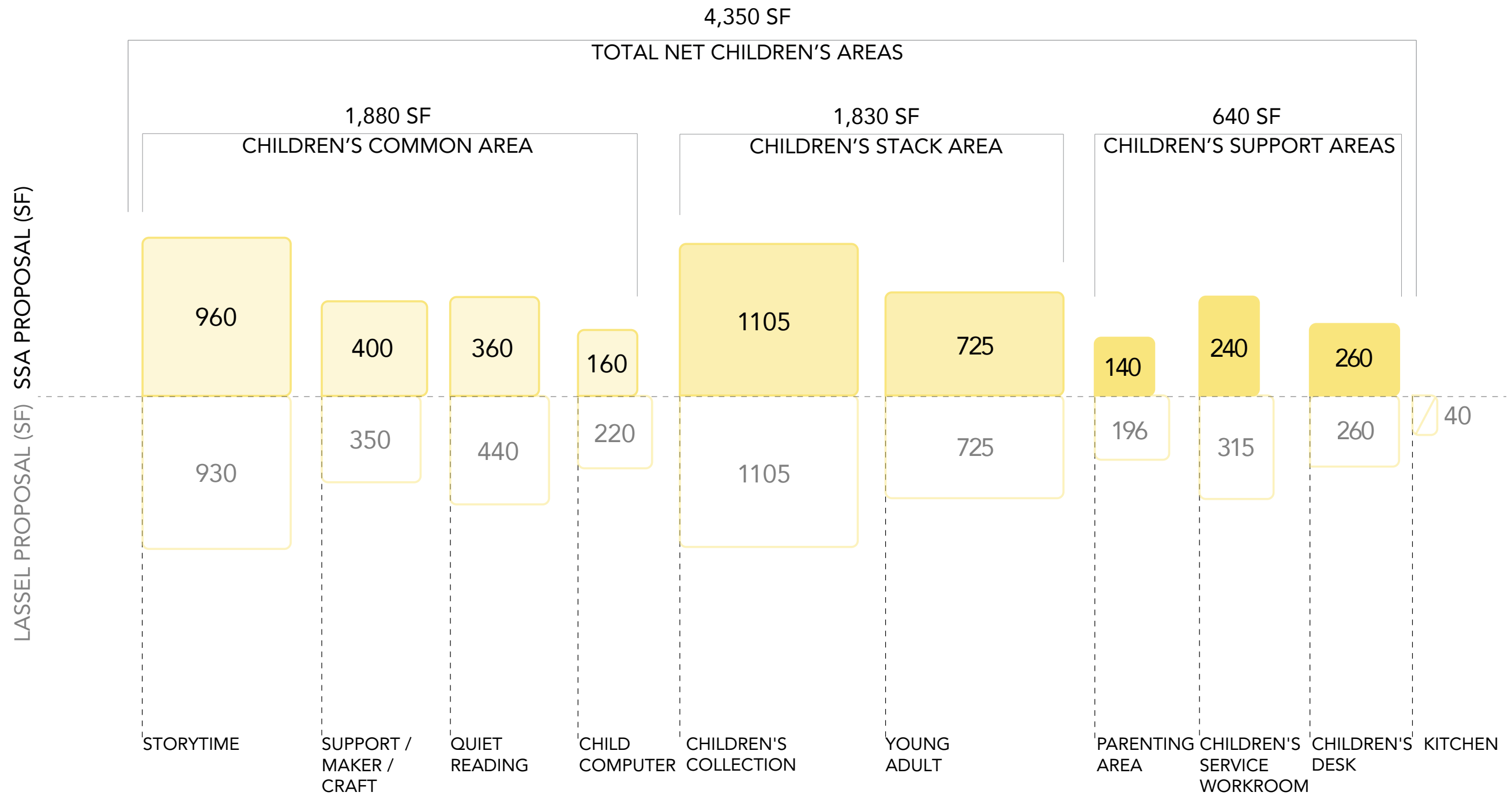
Apr 24, 2019

Kittery Block Party

Jun 15, 2019

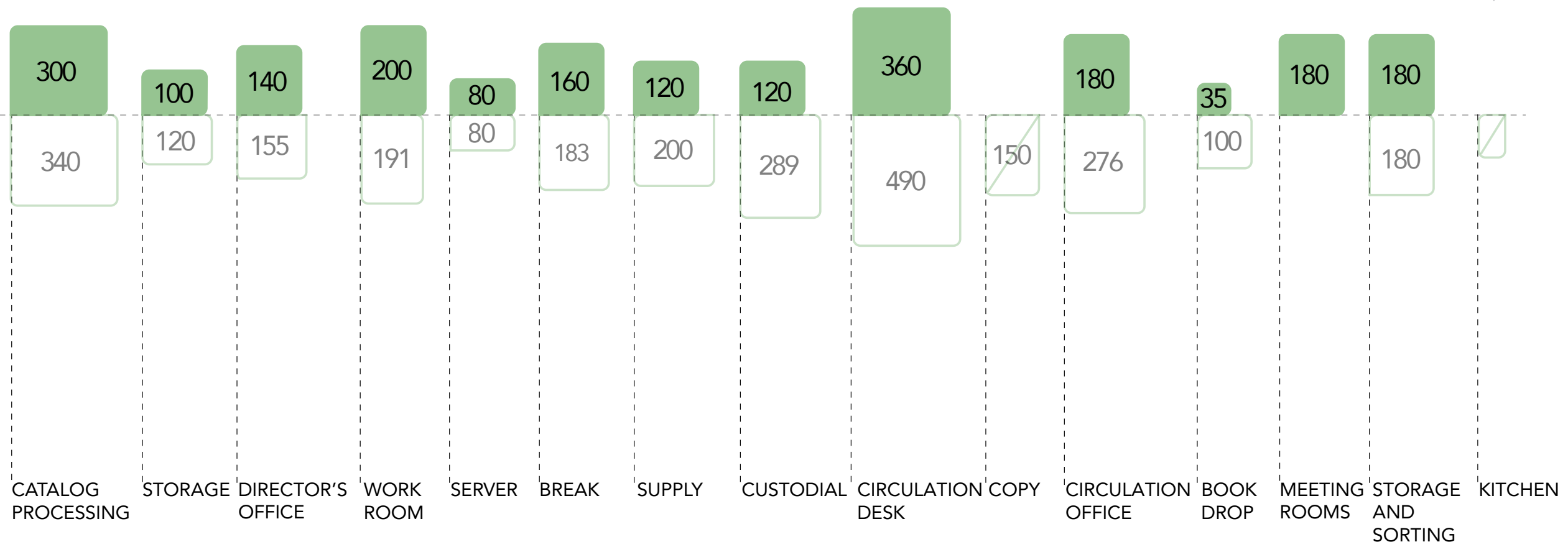




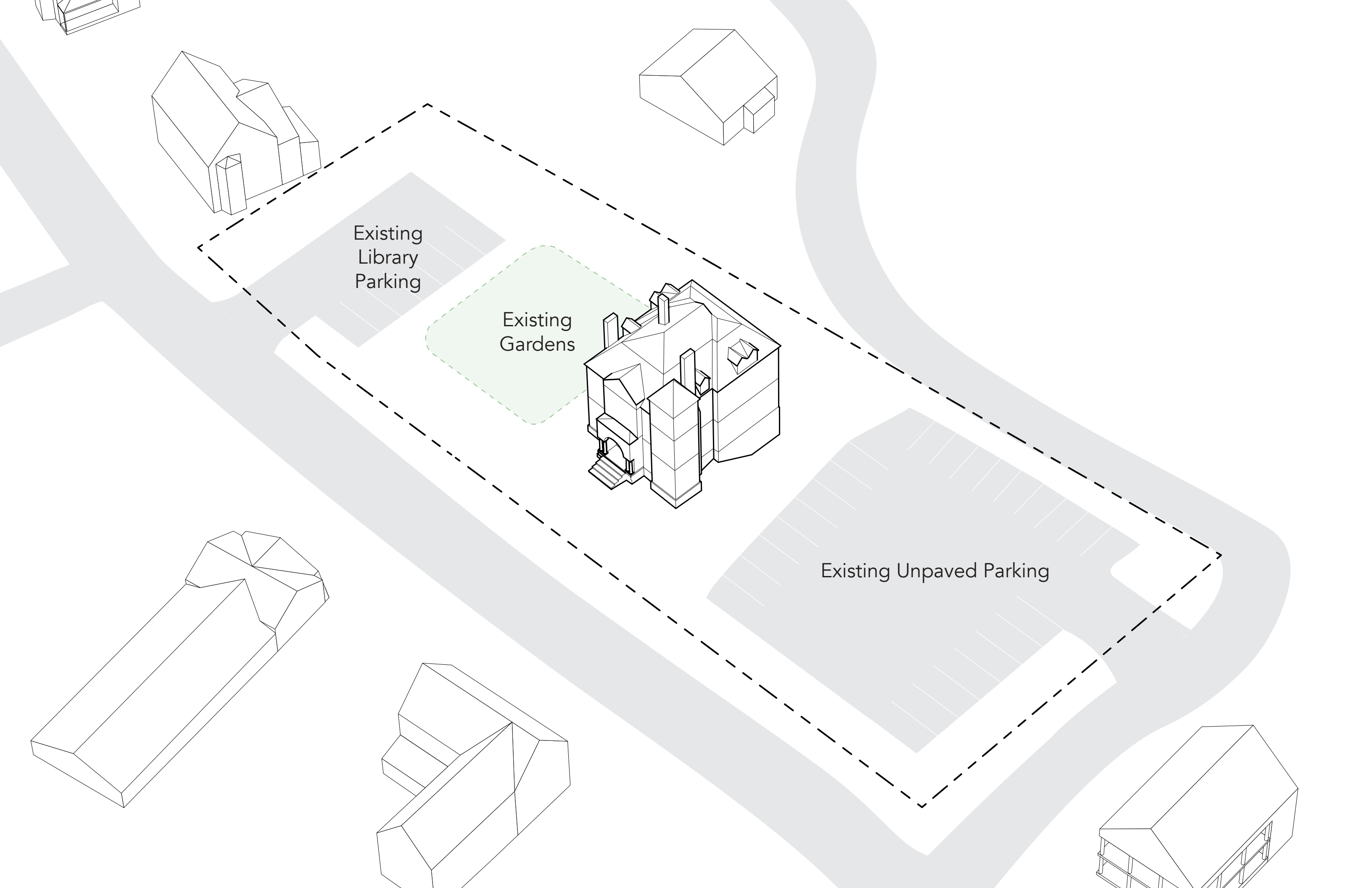


LASSEL PROPOSAL (SF) SSA PROPOSAL (SF)

2,155 SF
GENERAL SERVICE AREAS





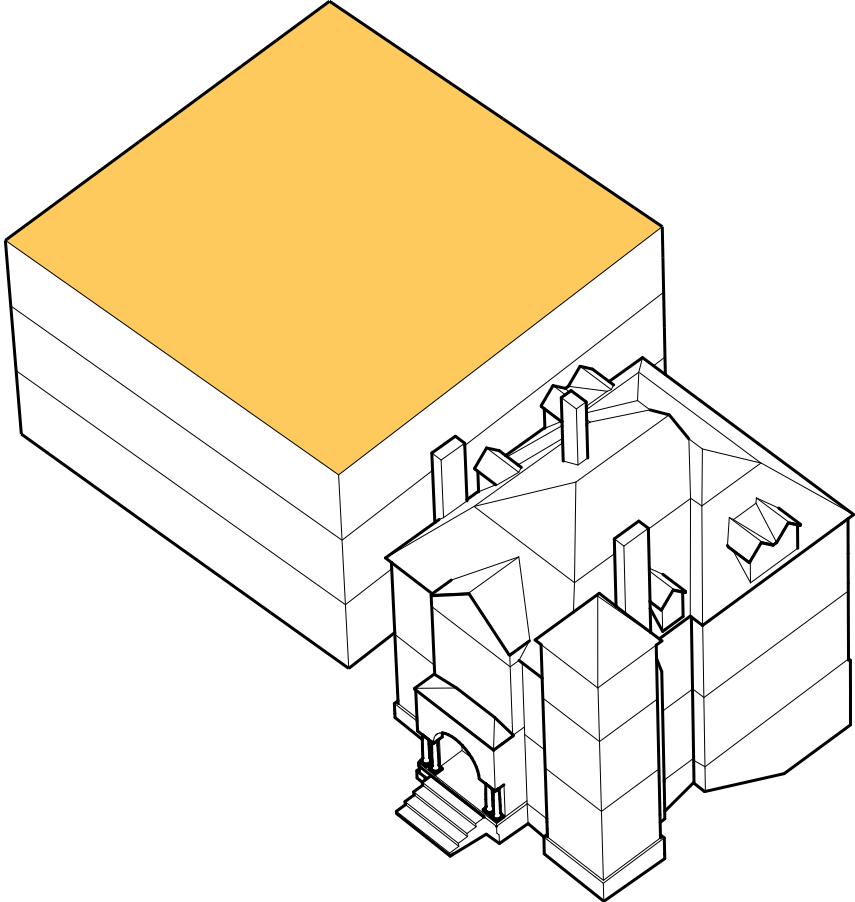


Existing
Library
Parking

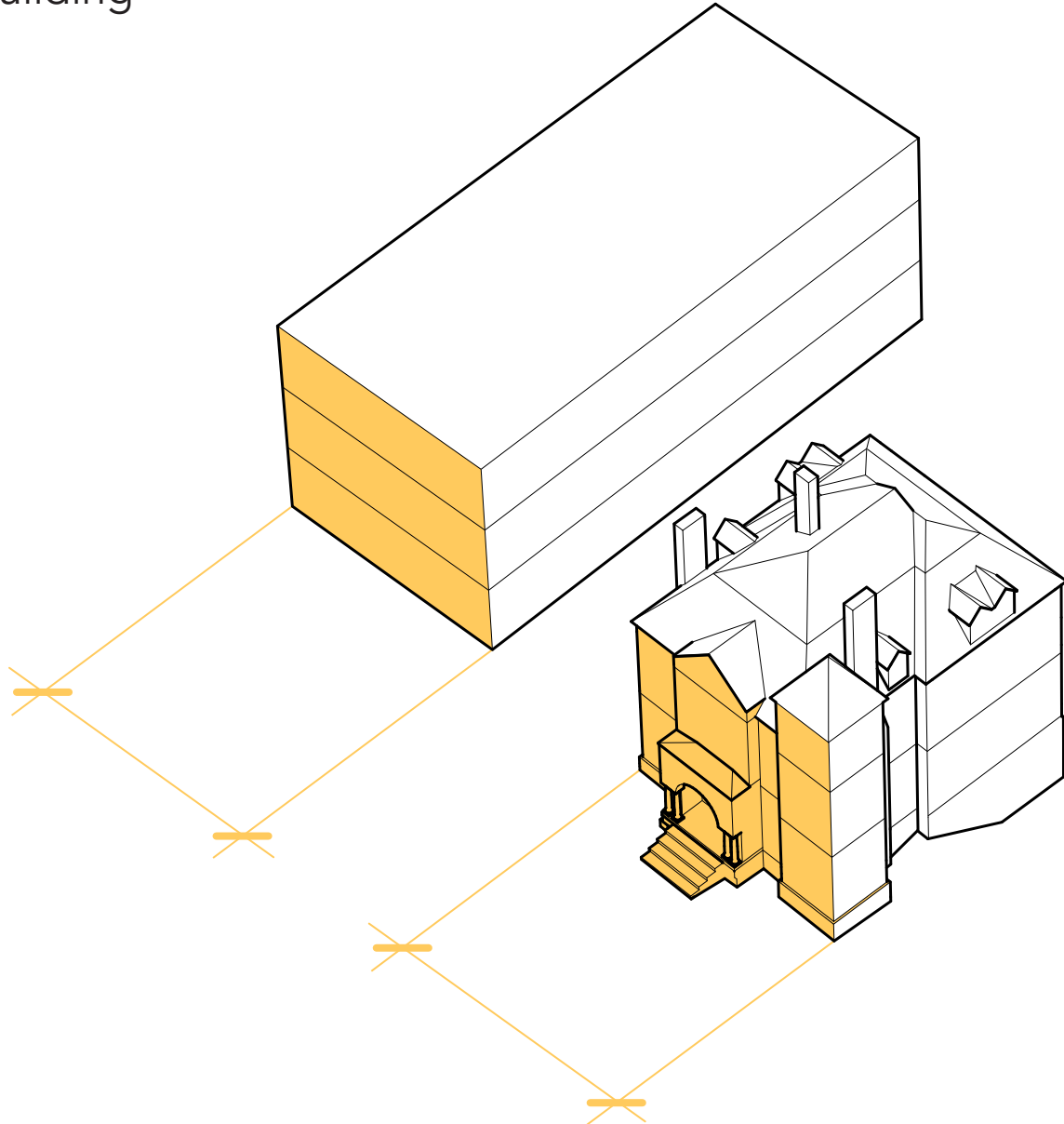
Existing
Gardens

Existing Unpaved Parking

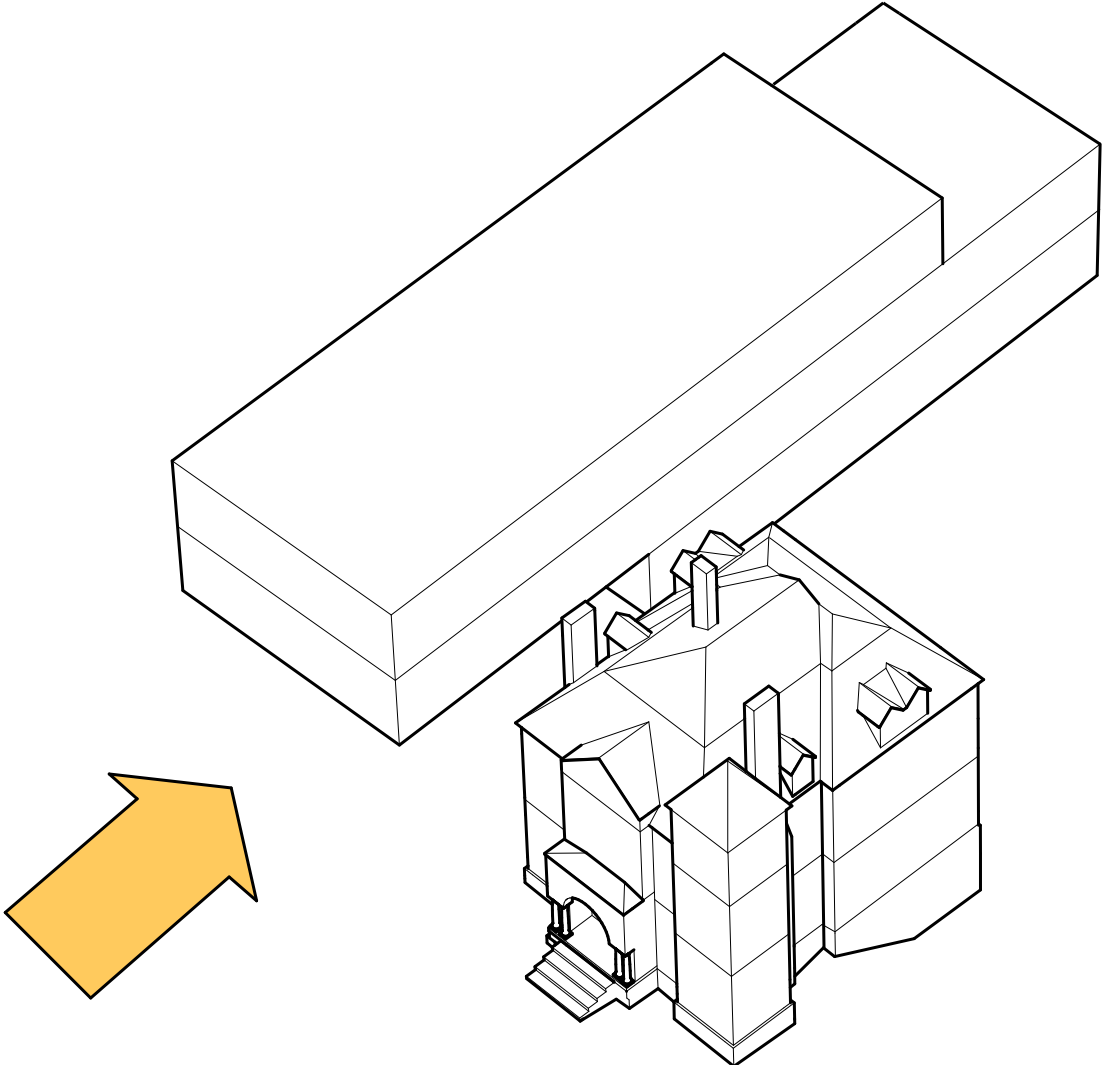
North Scheme -
Step 1 - Required Square Footage



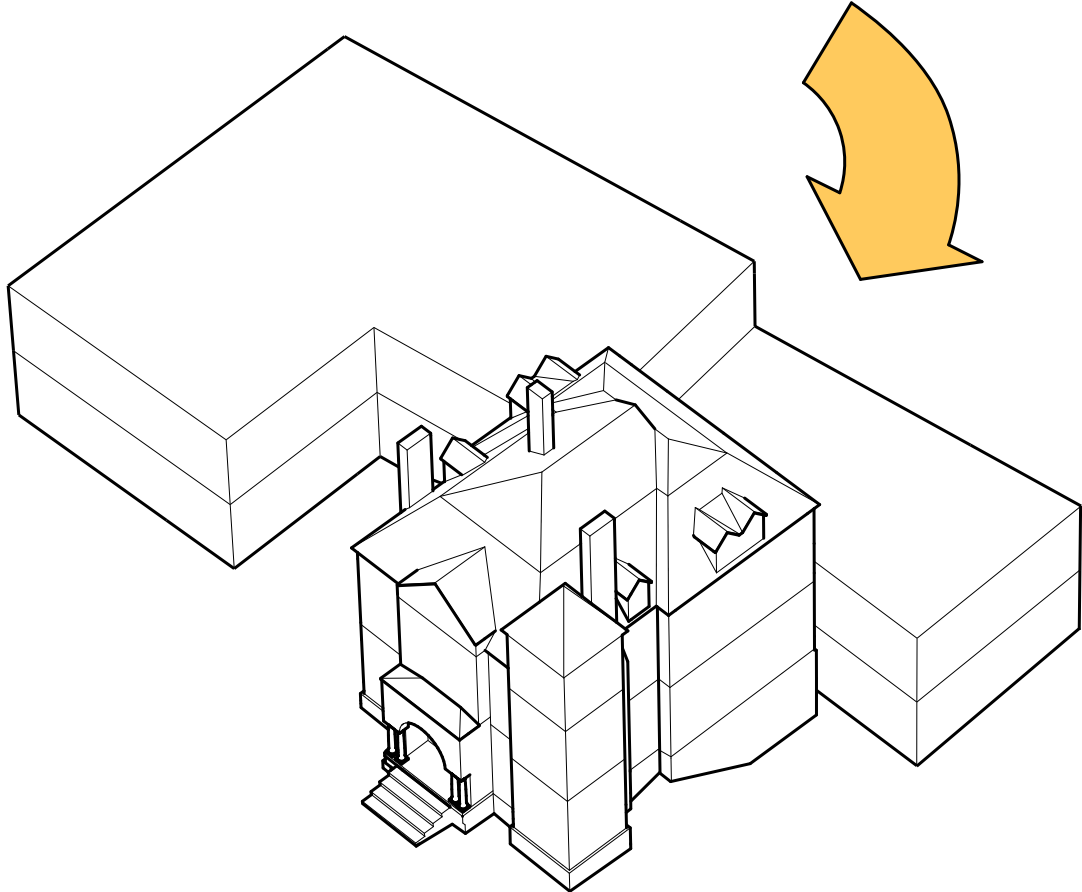
North Scheme -
Step 2 - Scaling to Historic Building



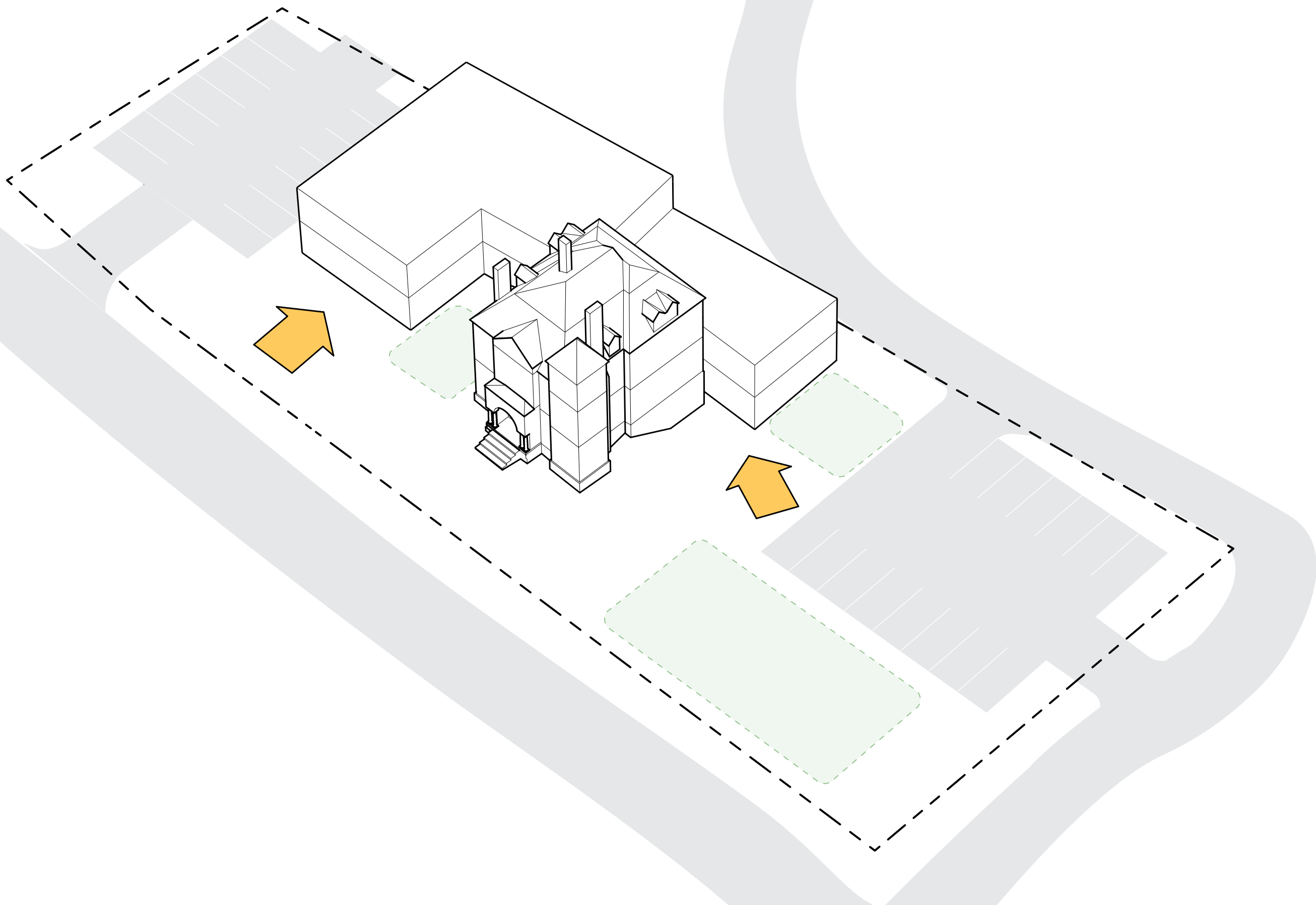
North Scheme -
Step 3 - Reducing Street Frontage



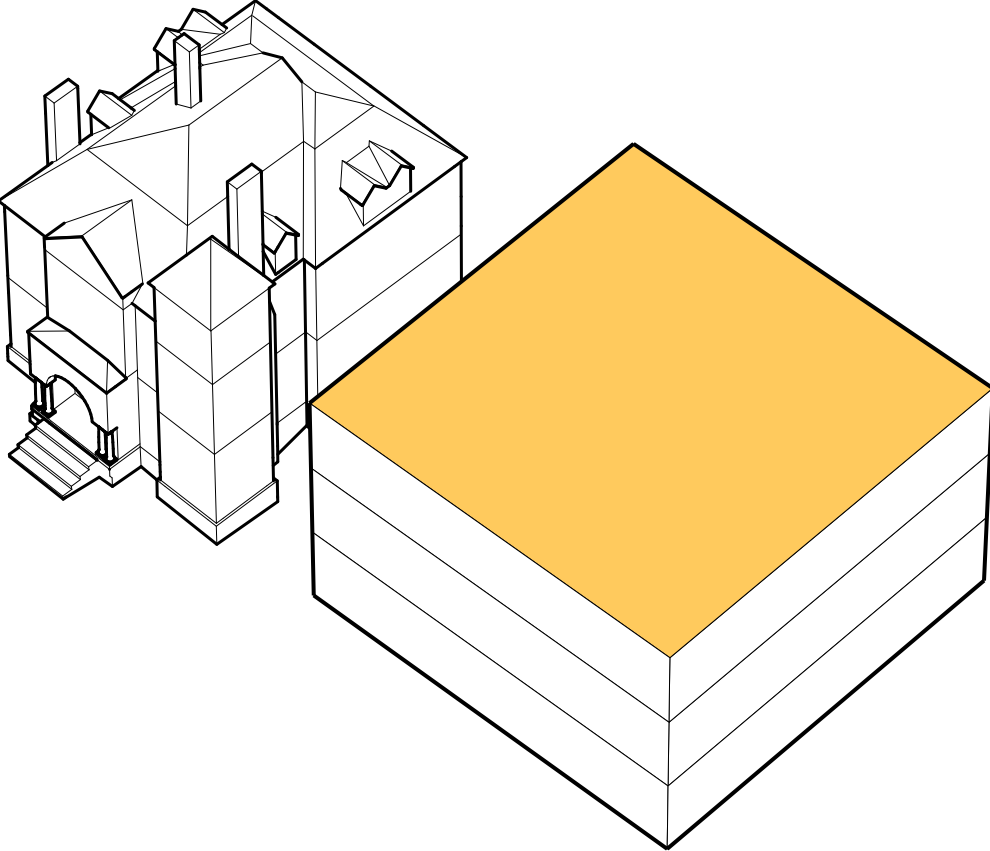
North Scheme -
Step 4 - Connecting to South Parking Lot



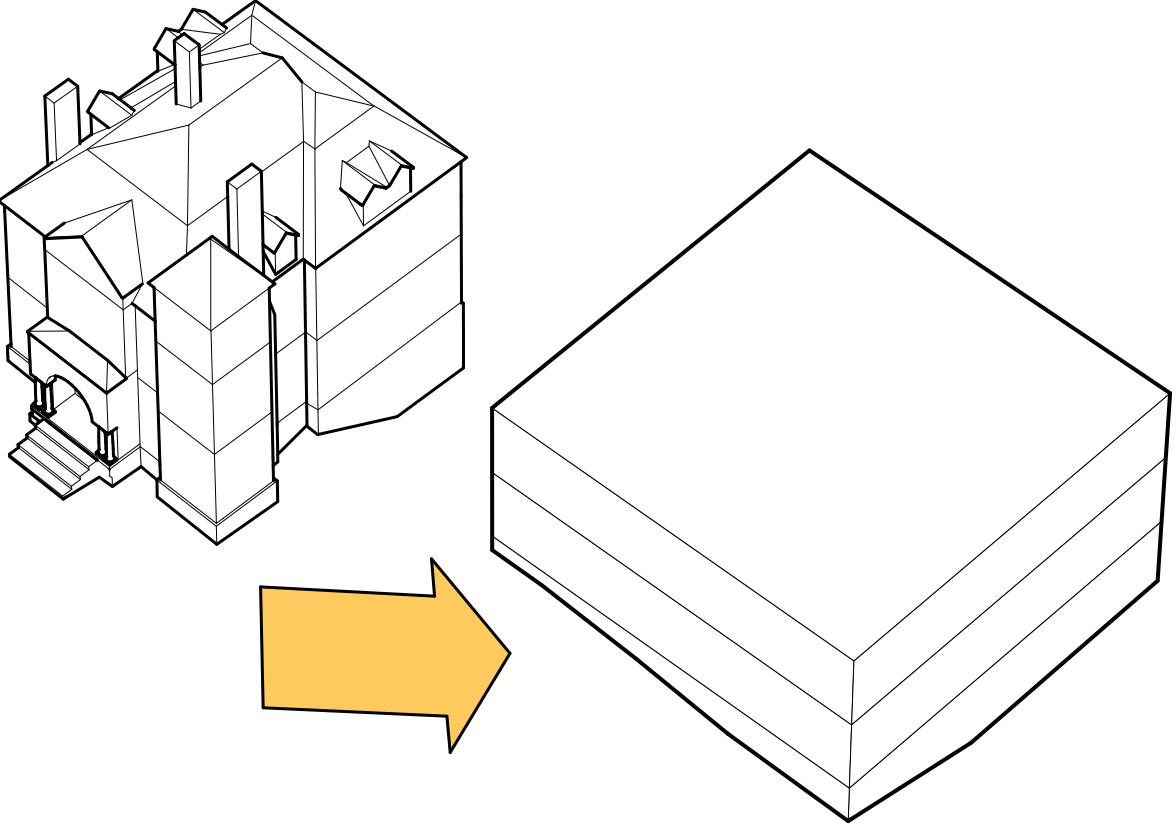
North Scheme - Site Plan
Step 5 - Connecting to Community



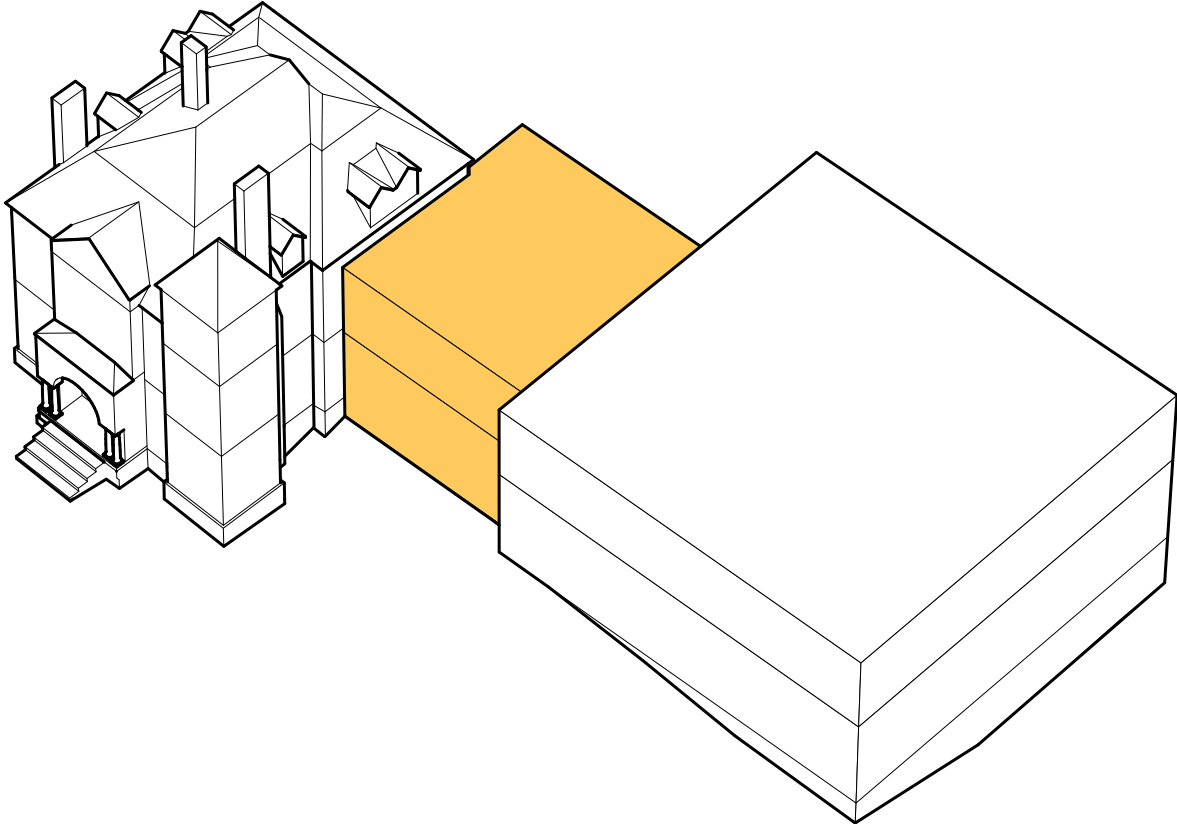
South Scheme -
Step 1 - Required Square Footage



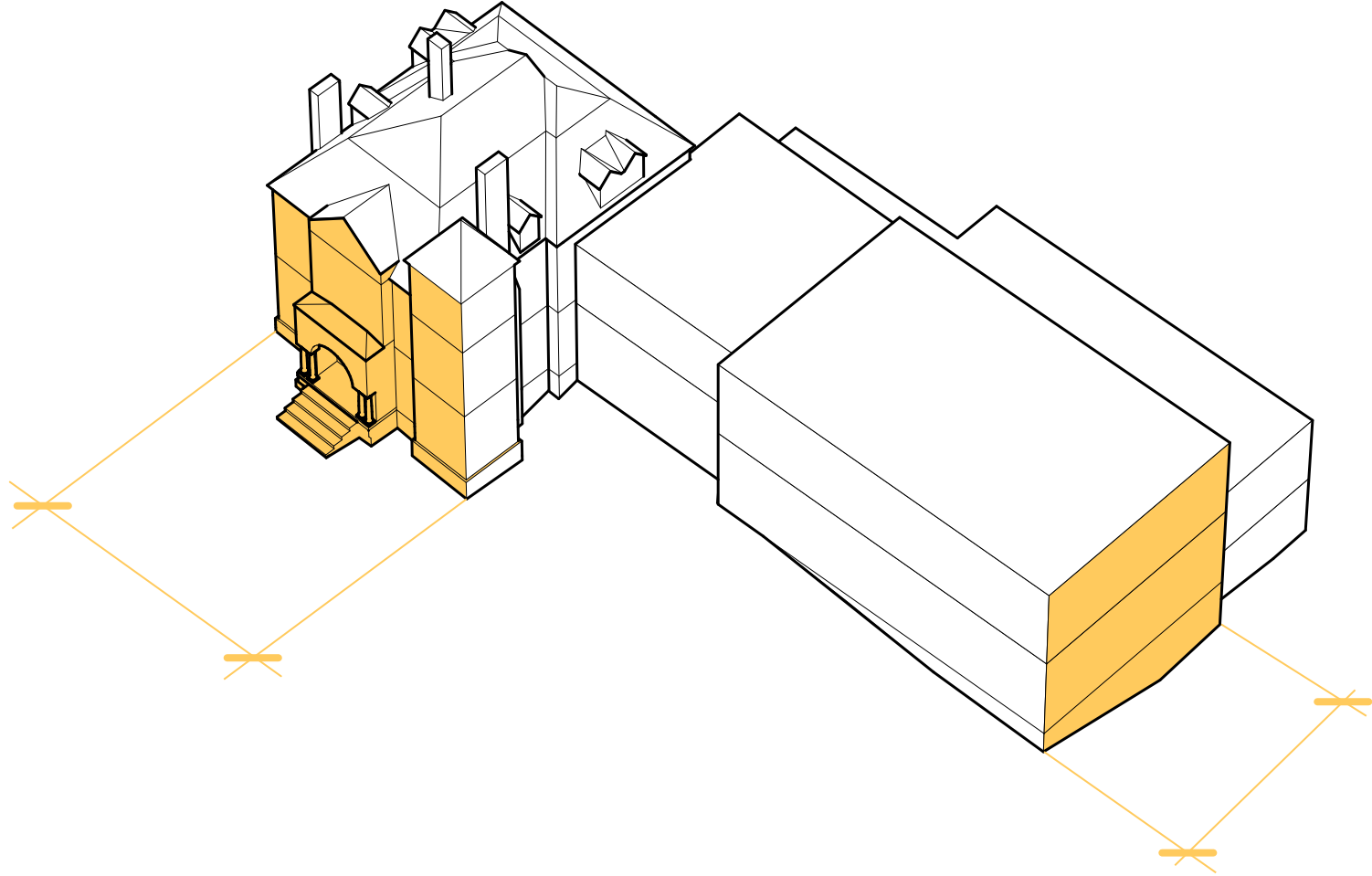
South Scheme -
Step 2 - Moving Mass Down the Site



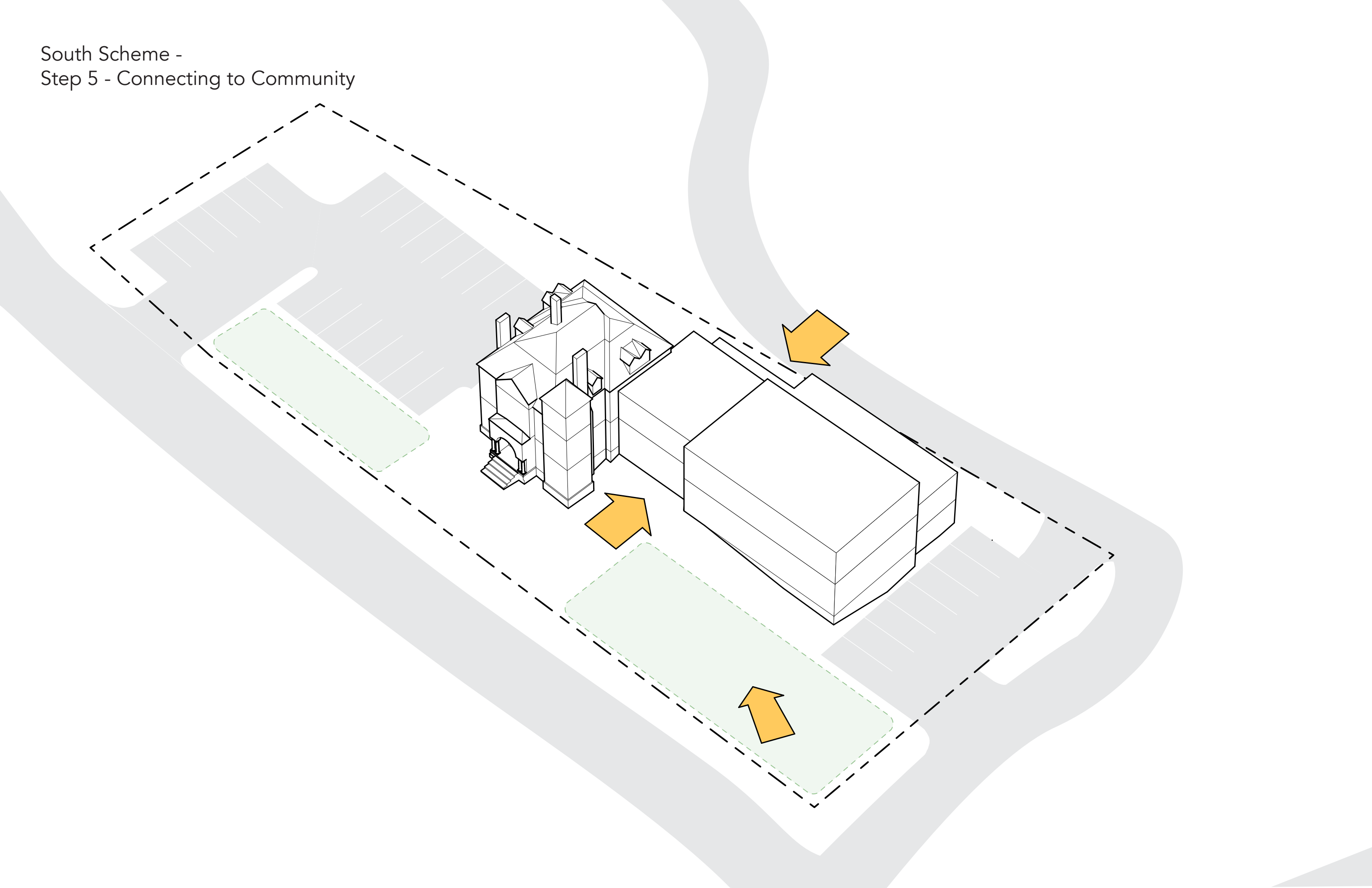
South Scheme -
Step 3 - Connecting to Historic Building



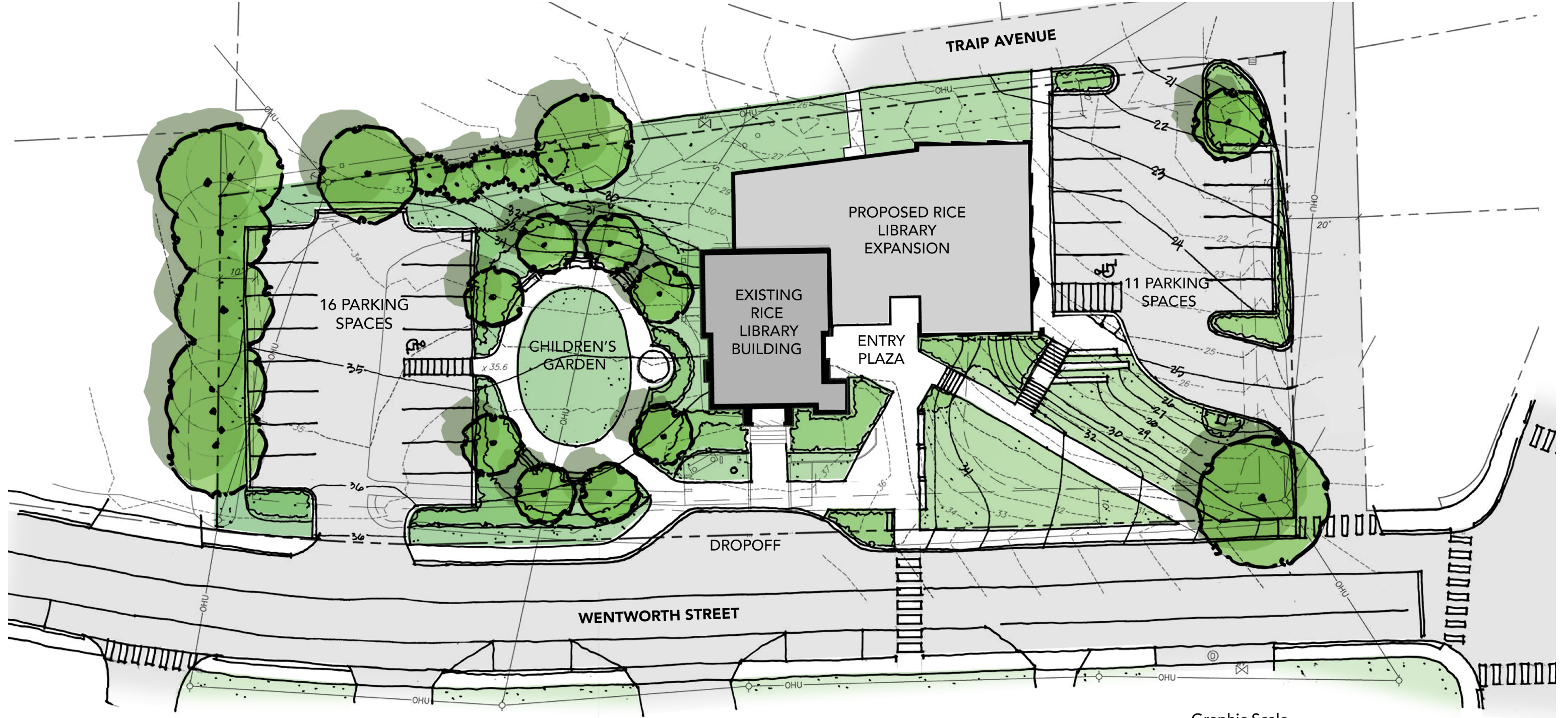
South Scheme -
Step 4 - Scaling to Historic Building



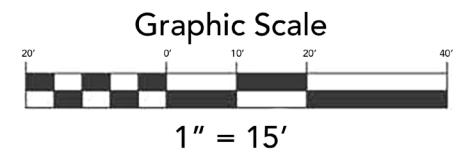
South Scheme -
Step 5 - Connecting to Community



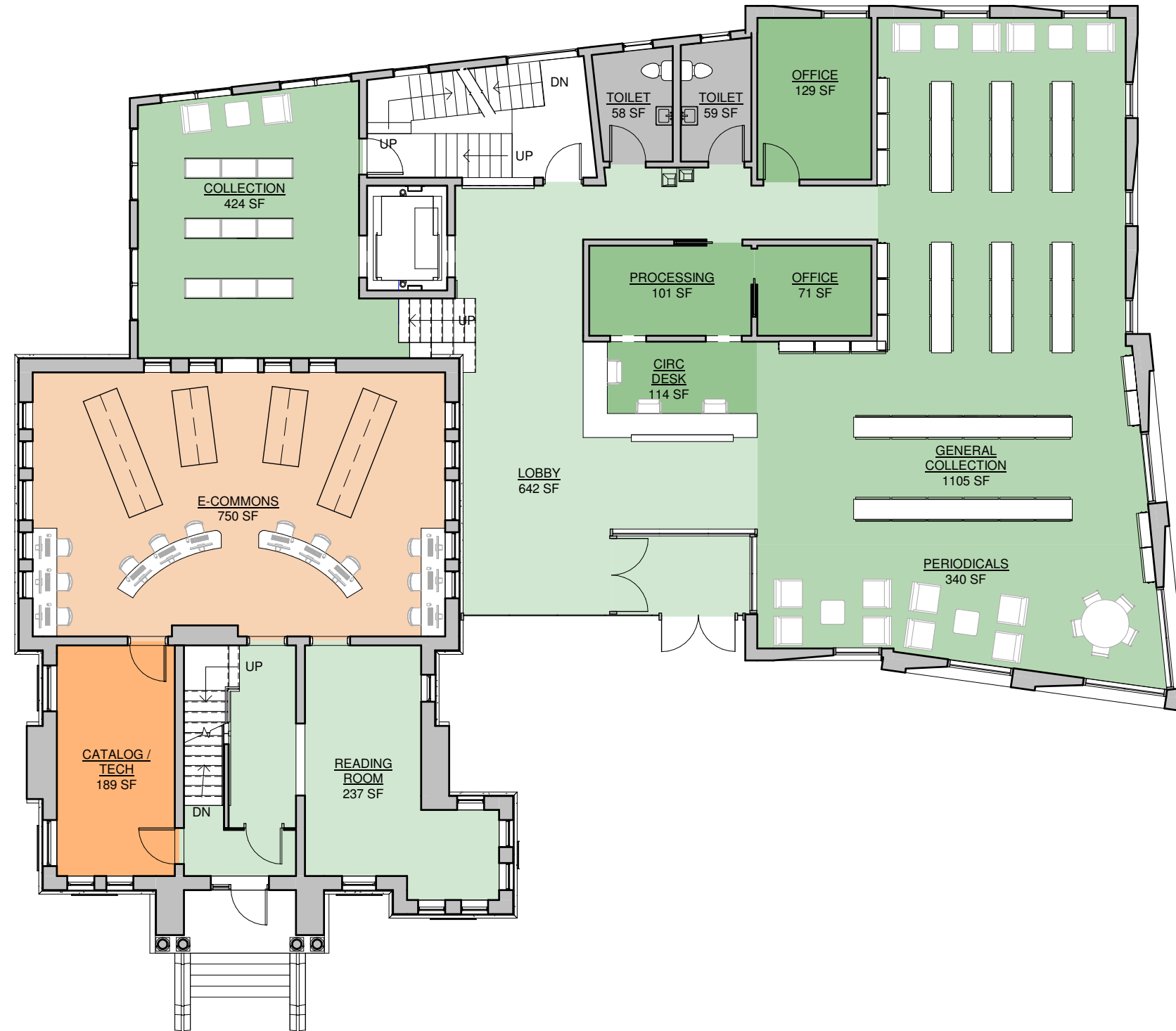
Rice Public Library - Site Plan



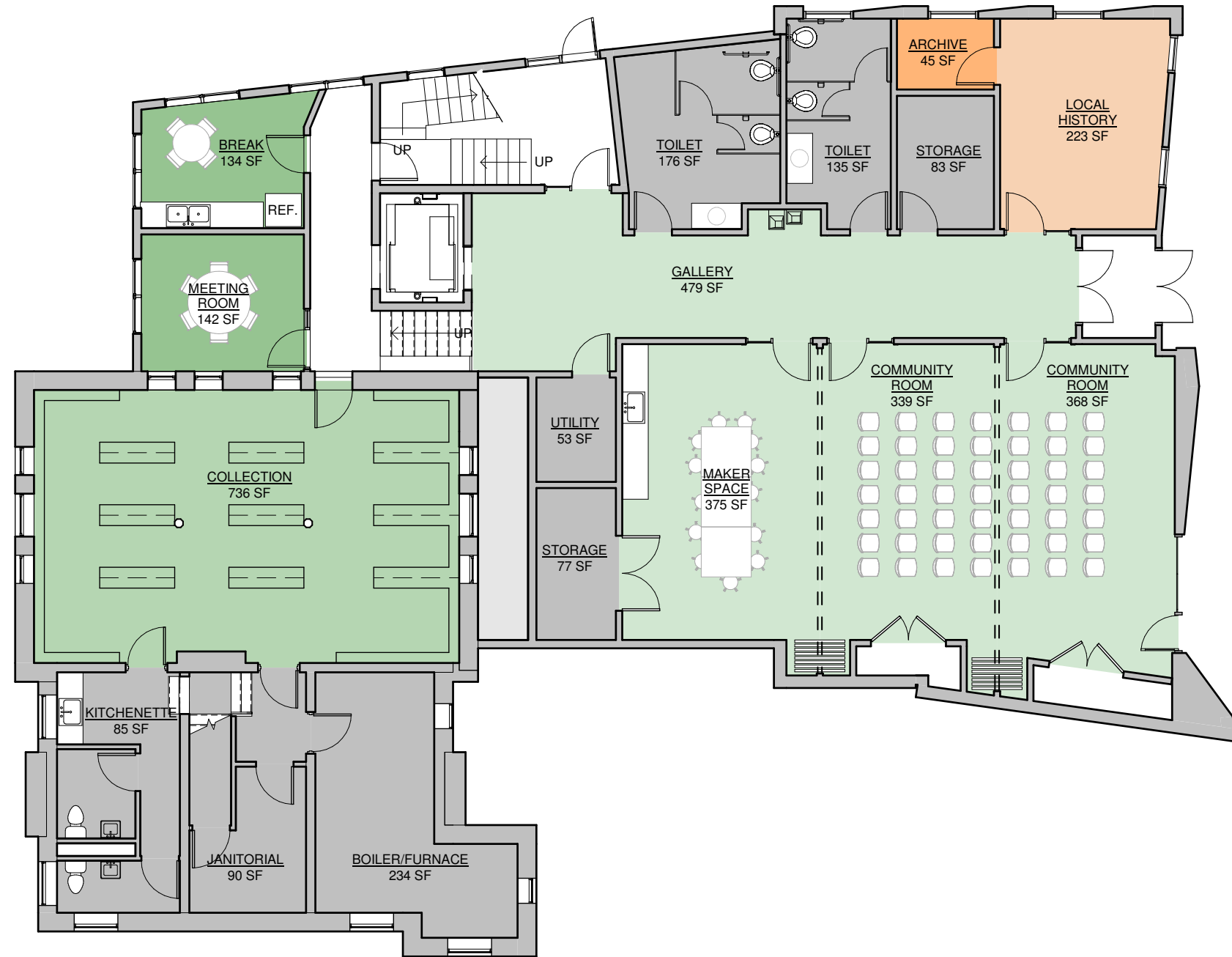
**RICE PUBLIC LIBRARY
PROPOSED EXPANSION
SITE PLAN**



South Scheme - First Floor Plan



Rice Public Library- Lower Level Floor Plan



South Scheme - Second Floor Plan

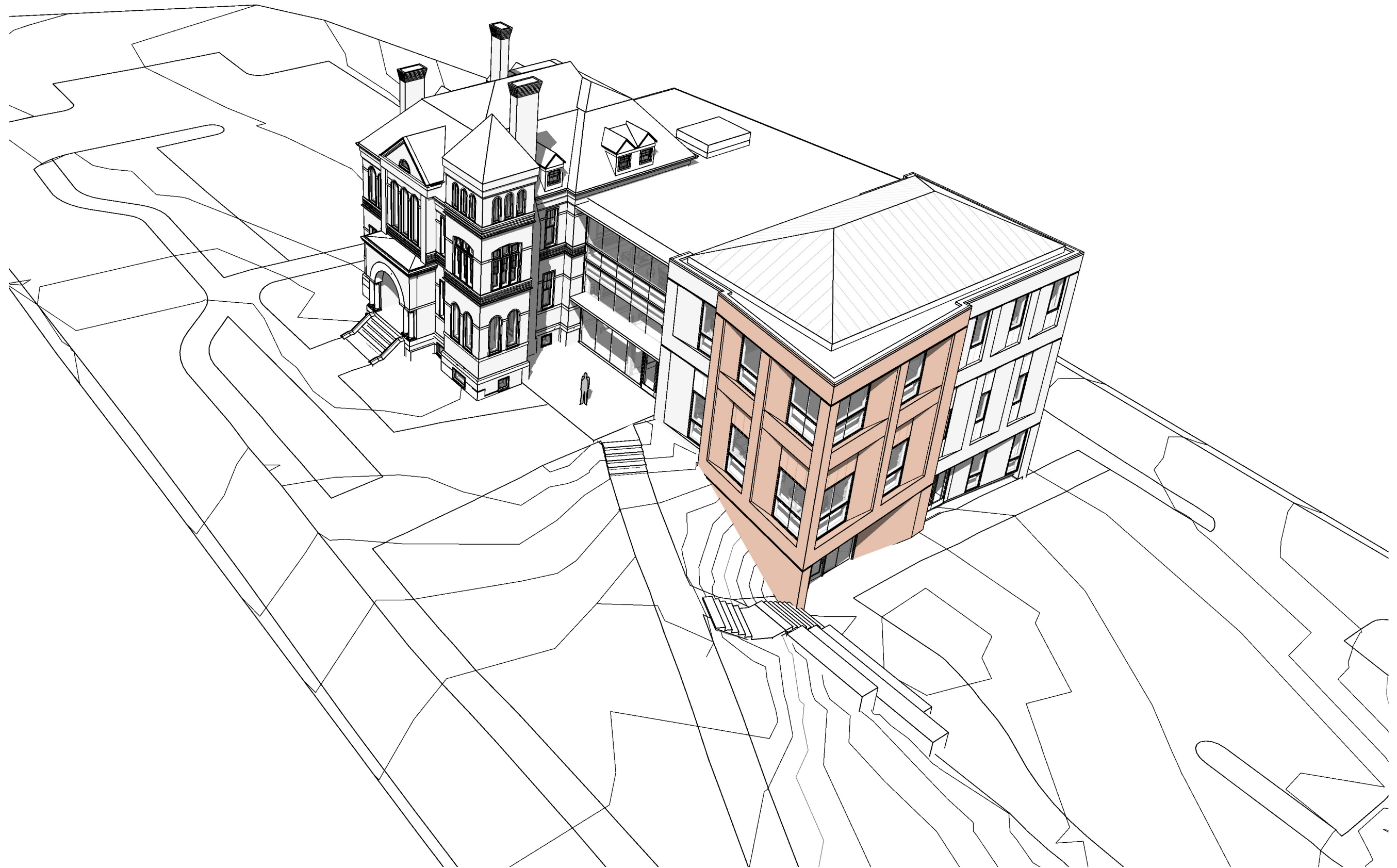




RICE PUBLIC LIBRARY

AUDITORIUM







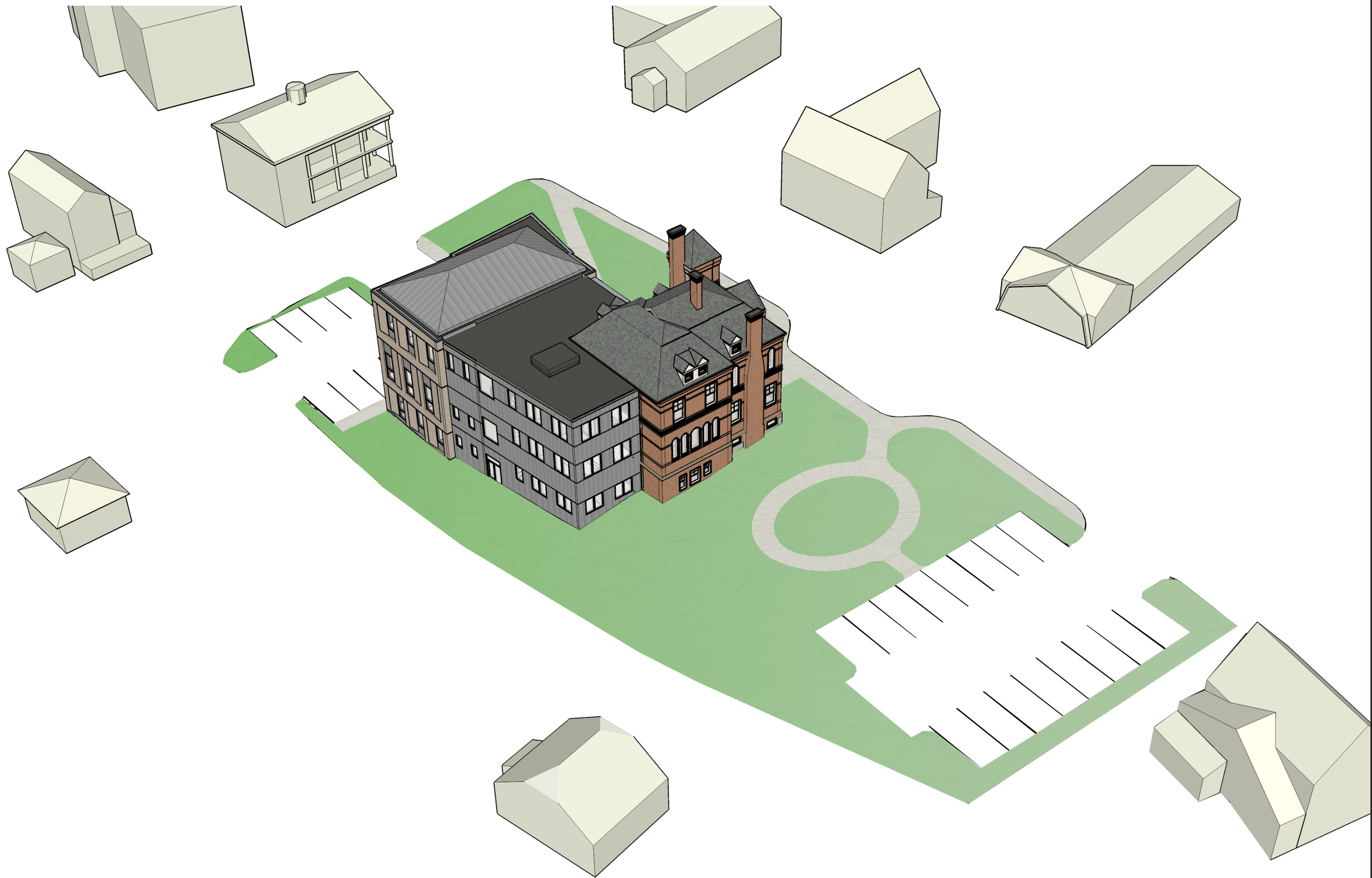
RICE PUBLIC LIBRARY

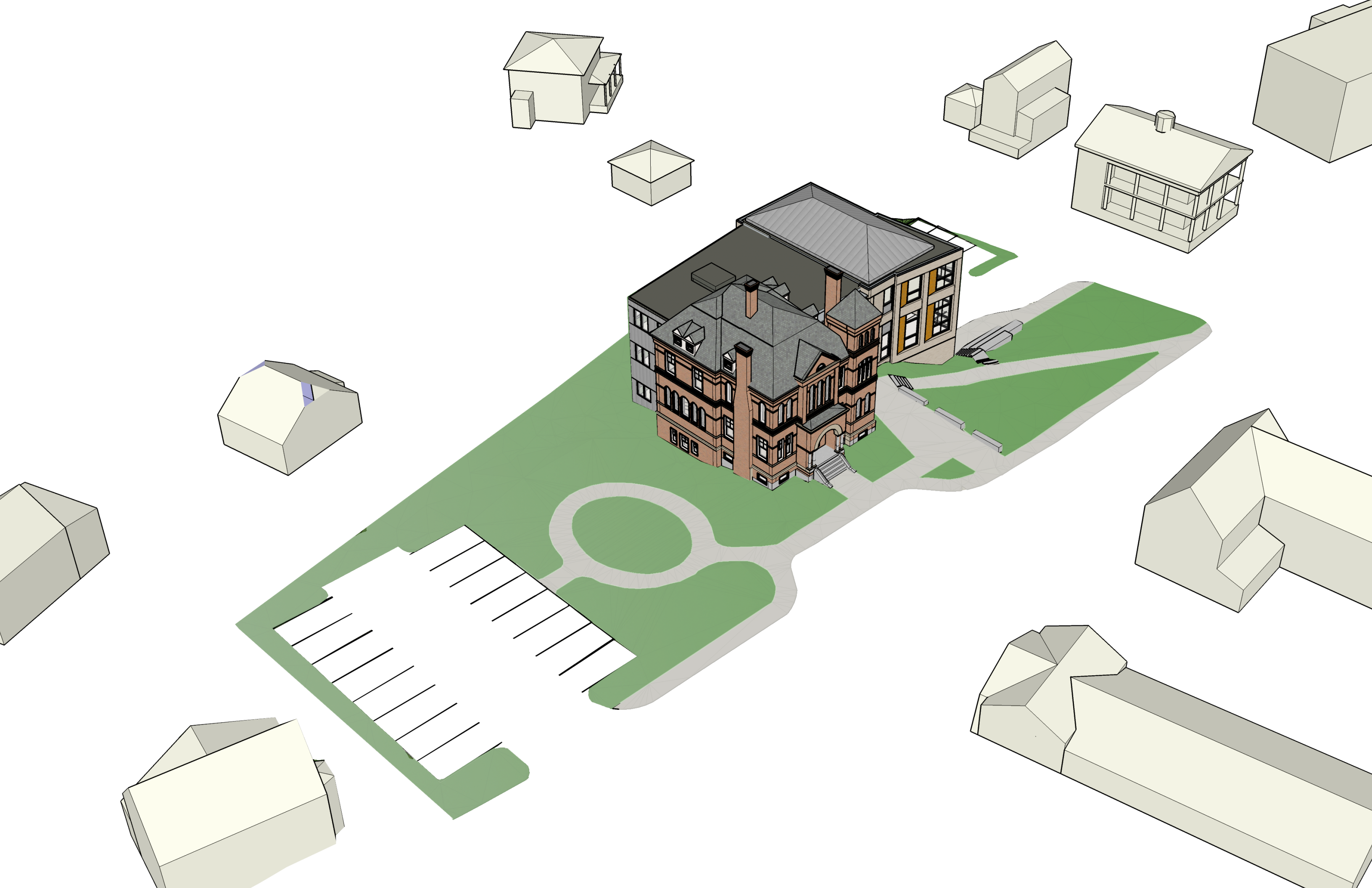
COMMUNITY ROOM



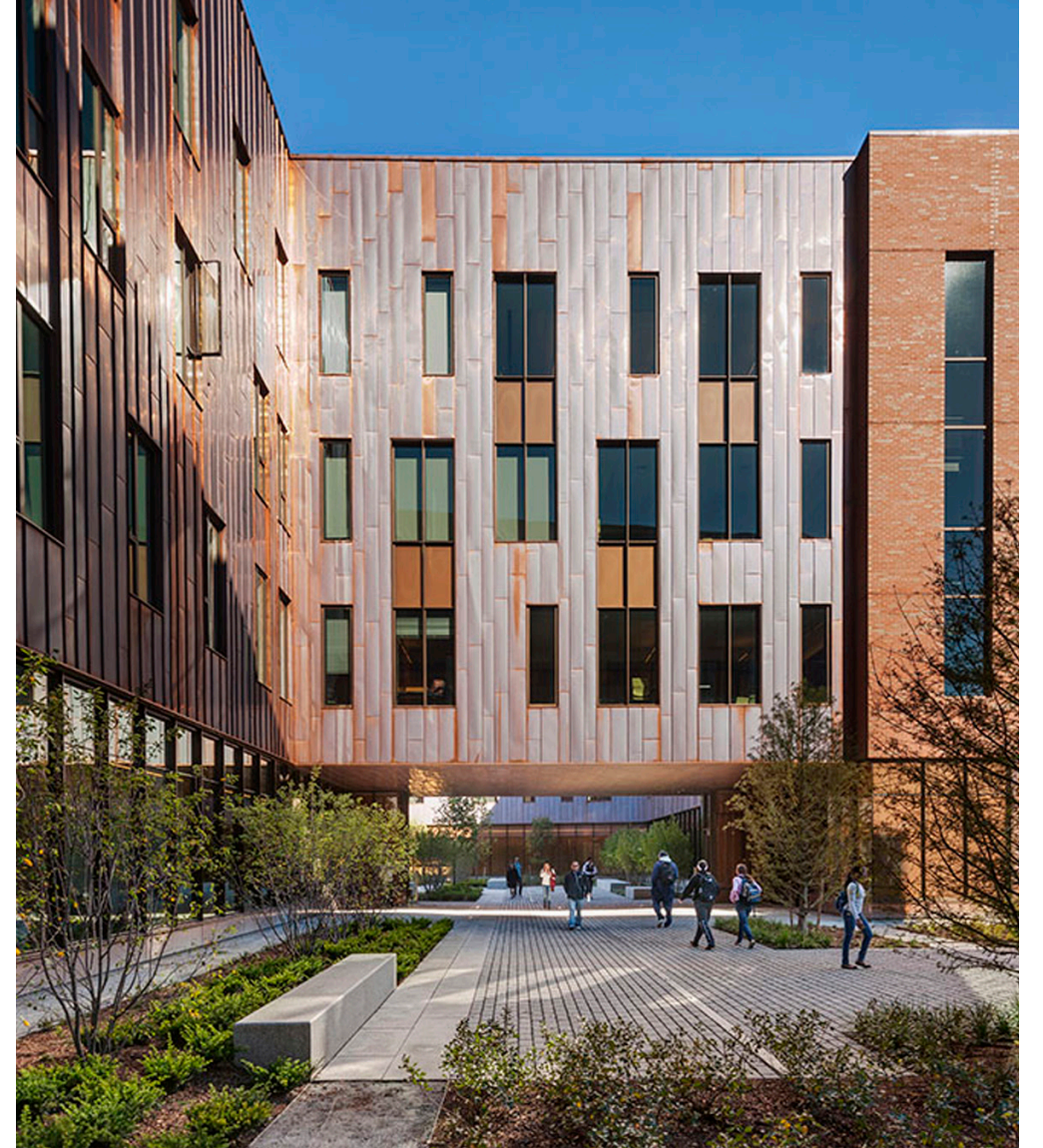












Copper Cladding



Metal Cladding



STATION PLACE LOT 5
Portland, OR



RICE PUBLIC LIBRARY

COMMUNITY ROOM